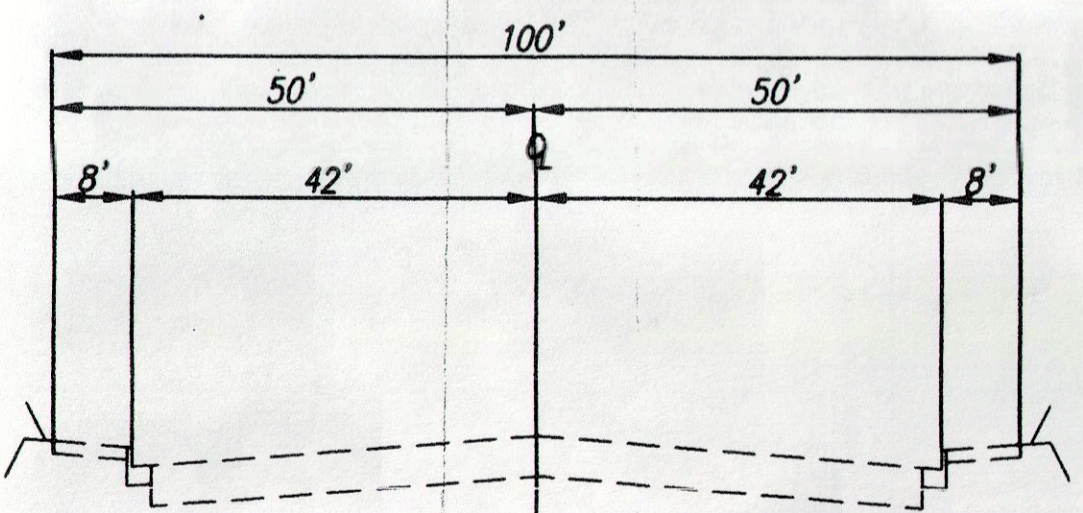
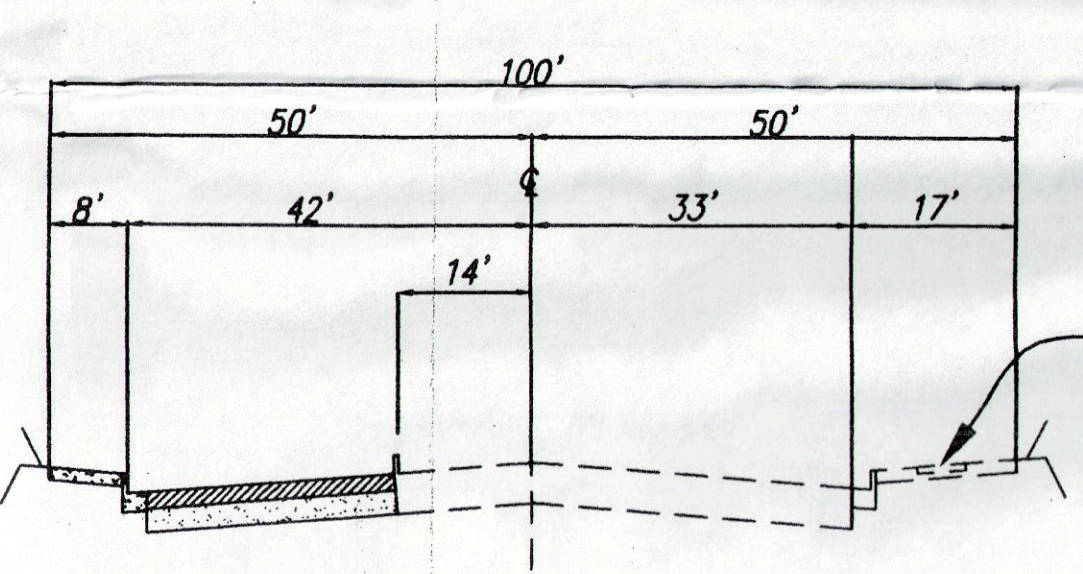


EARTHWORK QUANTITIES
 RAW CUT = 13,500 YD³
 RAW FILL = 22,000 YD³
 IMPORT = 8,500 YD³



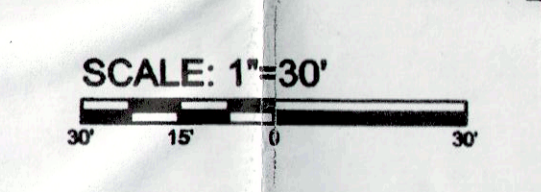
SECTION B-B



SECTION A-A

- EXPLANATION**
- af Artificial Fill
 - Qal Alluvium
 - Qoa Older Alluvium
 - Tc Calabasas Formation
 - TCV_{ag} Conejo Volcanics (Agglomerate)
 - T-4 Approximate contact between geologic units
 - ⊙ Approximate location of exploratory backhoe pit
 - ⊙ Approximate location of 24" diameter exploratory boring
 - ↘ Strike and dip of bedding
 - ⊕ Ground Water
 - ⊙ Approximate location of seismic traverse
 - ⊙ Geotechnical cross section

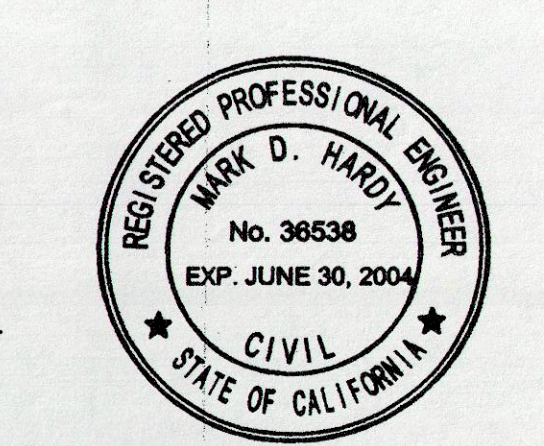
LEGEND
 --- LIMITS OF FLOODWAY



REVISED GEOTECHNICAL MAP

G GORIAN & ASSOCIATES, INC.
 Civil Engineers
 2400 VENTURA BLVD., SUITE 102
 CALABASAS, CA 91302
 PHONE (818) 222-0301

ENGINEER'S STATEMENT
 PREPARED UNDER THE SUPERVISION OF:
 MARK D. HARDY R.C.E. 36538
 EXP. 6/30/2004



HMK ENGINEERING INC.
 CIVIL ENGINEERS-PLANNERS-LAND SURVEYORS
 2400 VENTURA BLVD., SUITE 102
 CALABASAS, CA 91302 PHONE (818) 222-0301

PRELIMINARY GRADING PLAN
 PARCEL 2 OF PARCEL MAP 15762
 SHEET 1 OF 1 SHEETS
 W.D. 01-537